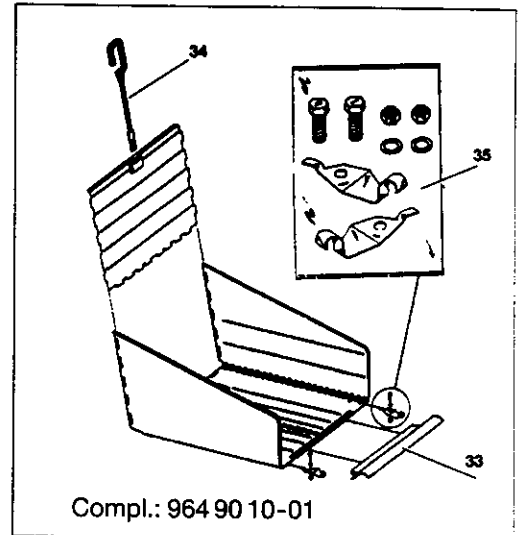
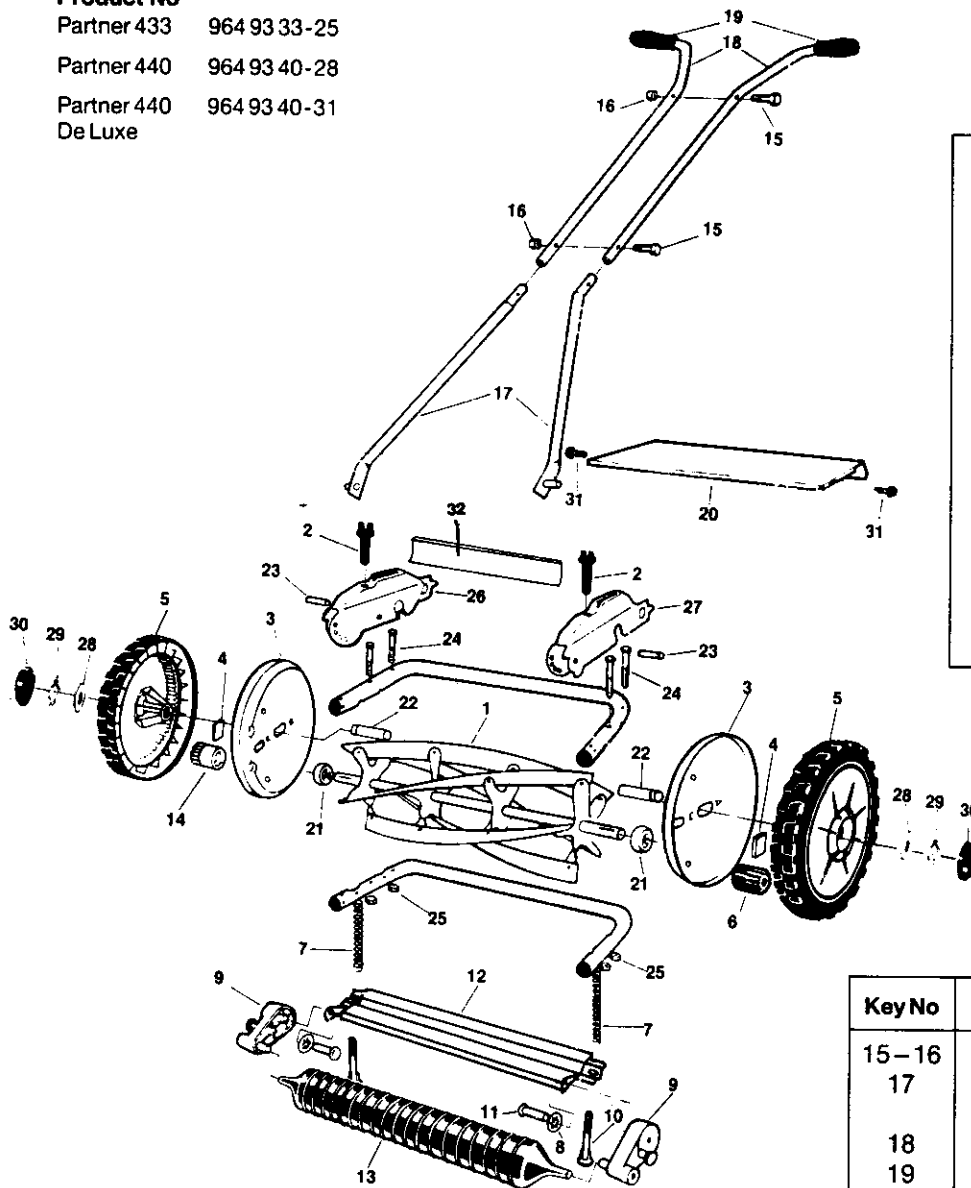




Product No
 Partner 433 964 93 33-25
 Partner 440 964 93 40-28
 Partner 440 964 93 40-31
 De Luxe

SPAREPARTS 107 26 21-05



Key No	Part No	Mod. 433	Mod. 440
1	371 39 75-07		1
	371 39 75-08	1	
2	371 16 78-01	2	2
3	371 92 64-05	2	2
4	371 37 91-01*	2	2
5	295 61 32-01	2	2
6	*	1	1
7	371 39 58-01	2	2
8	371 90 21-01	2	2
9	371 39 93-01	2	2
10	371 90 74-01	2	2
11	371 90 07-01	2	2
12	371 91 33-07		1
	371 91 33-08	1	
13	371 39 26-03		1
	371 39 26-05	1	
14	*	1	1
15	725 23 80-51	2	2
16	732 21 16-01	2	2

Key No	Part No	Mod. 433	Mod. 440
15-16	371 37 85-01	1	1
17	371 39 71-05		2
	371 39 71-06	2	
18	371 37 96-03	2	2
19	371 90 20-01	2	2
15-19	371 39 98-01		1
	371 39 98-02	1	
20	293 96 07-01		1 (De Luxe)
21	371 91 31-01	2	2
22	371 91 41-01	2	2
23	371 90 01-01	2	2
24	725 23 79-51	4	4
25	732 21 16-01	4	4
26	371 39 67-17	1	1
27	371 39 67-18	1	1
28	371 91 44-01	2	2
29	371 91 42-01	2	2
30	371 39 90-03	2	2
31	729 52 79-01		2 (De Luxe)
32	293 95 33-02		1
	293 95 33-01	1	
33	293 88 76-01		
34	293 88 79-01		
35	293 88 82-01		

*371 91 47-01 Pinion set
 371 37 85-01 Assembly set